

# STYLE R

The Ring Type Joint was initially developed for high pressure/temperature applications found in the petroleum industry and is primarily used in the oil field on drilling and completion equipment. However, today this product range can also be found on valves and pipework assemblies, along with some high integrity pressure vessel joints.

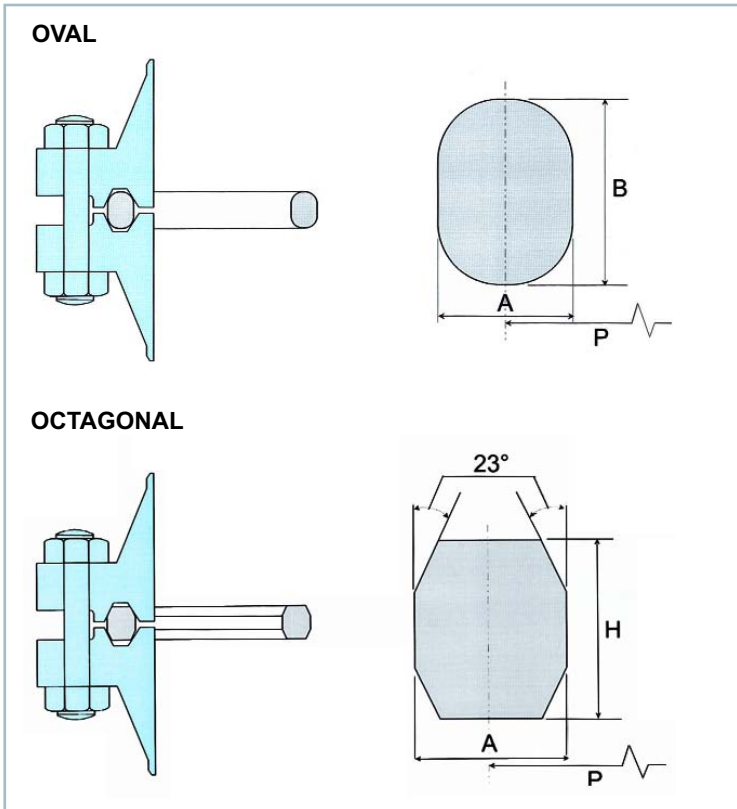


Style R

Standard Style R Ring Type Joints are manufactured in accordance with both API 6A and ASME B16.20 size/ratings. Available in both oval and octagonal configurations, both types are interchangeable on the modern octagonal type grooved flanges.

*As with all solid metal Ring Type Joints including Style R, it is recommended to replace the ring when flange connection is broken.*

## DIMENSIONAL DATA – STYLE R



### TOLERANCES: (INCHES)

A (width of ring)	±0.008
B, H (height of ring)	±0.020
P (average pitch diameter of ring)	±0.007
23° (angle)	±1/2°

*Flexitallic Style R Ring Type Joints can be manufactured in accordance with all relevant standards to suit the following flange designations:*

- API 6A
- ASME/ANSI B16.5
- MSS SP44 (ASME B16.47 SERIES A)
- BS 1560

# STYLE R

Dimensions in inches

RING NO.	PRESSURE CLASS RATINGS							PITCH DIAMETER OF RING P	WIDTH OF RING A	HEIGHT OF RING		APPROX. DISTANCE BETWEEN MADE UP FLANGES	GASKET WEIGHTS, lbs.	
	ANSI, BS & MSS					API (PSI)				OV	HT		OV	HT
	150	300/600	900	1500	2500	2000/3000	5000			B	H		OV	OCTAGONAL
	NOMINAL PIPE SIZE (INCHES)													
R11	-	1/2	-	-	-	-	-	34.13	6.35	11.1	9.5	-	.111	.104
R12	-	-	1/2	1/2	-	-	-	39.69	7.95	14.3	12.7	-	.216	.20
R13	-	3/4	-	-	1/2	-	-	42.86	7.95	14.3	12.7	-	.234	.216
R14	-	-	3/4	3/4	-	-	-	44.45	7.95	14.3	12.7	-	.242	.224
R15	1	-	-	-	-	-	-	47.63	7.95	14.3	12.7	-	.260	.24
R16	-	1	1	1	3/4	-	-	50.80	7.95	14.3	12.7	-	.278	.256
R17	1 1/4	-	-	-	-	-	-	57.15	7.95	14.3	12.7	-	.311	.288
R18	-	1 1/4	1 1/4	1 1/4	1	-	-	60.33	7.95	14.3	12.7	-	.328	.304
R19	1 1/2	-	-	-	-	-	-	65.09	7.95	14.3	12.7	-	.354	.328
R20*	-	1 1/2	1 1/2	1 1/2	-	-	-	68.28	7.95	14.3	12.7	4.1	.372	.344
R21	-	-	-	-	1 1/4	-	-	72.23	11.11	17.5	15.9	-	.660	.643
R22	2	-	-	-	-	-	-	82.55	7.95	14.3	12.7	-	.450	.415
R23*	-	2	-	-	1 1/2	2 1/16**	-	82.55	11.11	17.5	15.9	4.8	.755	.734
R24*	-	-	2	2	-	2 1/16	2	95.25	11.11	17.5	15.9	4.8	.870	.846
R25	2 1/2	-	-	-	-	-	-	101.60	7.95	14.3	12.7	-	.553	.510
R26*	-	2 1/2	-	-	2	2 9/16	-	101.60	11.11	17.5	15.9	4.8	.930	.904
R27*	-	-	2 1/2	2 1/2	-	(2 9/16)	2 9/16	107.95	11.11	17.5	15.9	-	1.050	.96
R28	-	-	-	-	2 1/2	-	-	111.13	12.70	19.1	17.5	-	1.255	1.23
R29	3	-	-	-	-	-	-	114.30	7.95	14.3	12.7	-	.622	.575
R30†	-	3	-	-	-	-	-	117.48	11.11	17.5	15.9	-	1.075	1.047
R31*	-	3	3	-	-	3 1/8	-	123.83	11.11	17.5	15.9	4.8	1.130	1.10
R32	-	-	-	-	3	-	-	127.00	12.70	19.1	17.5	-	1.435	1.405
R33	3 1/2	-	-	-	-	-	-	131.76	7.95	14.3	12.7	-	.718	.664
R34	-	3 1/2	-	-	-	-	-	131.76	11.11	17.5	15.9	-	1.200	1.17
R35*	-	-	-	3	-	-	3 1/8	136.53	11.11	17.5	15.9	4.8	1.250	1.21
R36	4	-	-	-	-	-	-	149.23	7.95	14.3	12.7	-	.813	.735
R37*	-	4	4	-	-	4 1/16	-	149.23	11.11	17.5	15.9	4.8	1.360	1.33
R38	-	-	-	-	4	-	-	157.16	15.88	22.4	20.6	-	2.56	2.52
R39*	-	-	-	4	-	-	4 1/16	161.93	11.11	17.5	15.9	4.8	1.480	1.44
R40	5	-	-	-	-	-	-	171.45	7.95	14.3	12.7	-	.935	.865
R41*	-	5	5	-	-	-	-	180.98	11.11	17.5	15.9	4.8	1.66	1.61
R42	-	-	-	-	5	-	-	190.50	19.05	25.4	23.9	-	4.21	4.16
R43	6	-	-	-	-	-	-	193.68	7.95	14.3	12.7	-	1.055	.975
R44*	-	-	-	5	-	-	-	193.68	11.11	17.5	15.9	4.8	1.77	1.73
R45*	-	6	6	-	-	7 1/16	-	211.14	11.11	17.5	15.9	4.8	1.93	1.88
R46*	-	-	-	6	-	-	7 1/16	211.14	12.70	19.1	17.5	4.8	2.39	2.33
R47*	-	-	-	-	6	-	-	228.60	19.05	25.4	23.9	4.1	5.06	4.99
R48	8	-	-	-	-	-	-	247.65	7.95	14.3	12.7	-	1.350	1.24
R49*	-	8	8	-	-	9	-	269.88	11.11	17.5	15.9	4.8	2.47	2.40
R50*	-	-	-	8	-	-	9	269.88	15.88	22.4	20.6	4.1	4.40	4.32
R51	-	-	-	-	8	-	-	279.40	22.23	28.6	27.0	-	8.05	8.17
R52	10	-	-	-	-	-	-	304.80	7.95	14.3	12.7	-	1.66	1.53
R53*	-	10	10	-	-	11	-	323.85	11.11	17.5	15.9	4.8	3.00	2.88
R54*	-	-	-	10	-	-	11	323.85	15.88	22.4	20.6	4.1	5.29	5.18
R55	-	-	-	-	10	-	-	342.90	28.58	36.5	34.9	-	16.23	17.04
R56	12	-	-	-	-	-	-	381.00	7.95	14.3	12.7	-	2.07	1.92
R57*	-	12	12	-	-	13 5/8	-	381.00	11.11	17.5	15.9	4.8	3.48	3.38

\* Denotes ring number specified in API 6A.  
 Nominal Pipe Sizes marked\*\* apply to class rating 2000 only.  
 Nominal Pipe Sizes in brackets apply to class rating 3000 only.  
 † Ring no. R30 is suitable for lapped flanges only.

# STYLE R

Dimensions in inches

RING NO.	PRESSURE CLASS RATINGS							PITCH DIAMETER OF RING	WIDTH OF RING	HEIGHT OF RING		APPROX. DISTANCE BETWEEN MADE UP FLANGES	GASKET WEIGHTS, lbs.	
	ANSI, BS & MSS					API (PSI)				OVAL	OCTAGONAL		OVAL	OCTAGONAL
	150	300/600	900	1500	2500	2000/3000	5000			B	H			
	NOMINAL PIPE SIZE (INCHES)							P	A					
R58	-	-	-	12	-	-	-	381.00	22.23	28.6	27.0	-	11.00	11.13
R59	14	-	-	-	-	-	-	396.88	7.95	14.3	12.7	-	2.16	2.00
R60	-	-	-	-	12	-	-	406.40	31.75	39.7	38.1	-	23.10	23.50
R61	-	14	-	-	-	-	-	419.10	11.11	17.5	15.9	-	3.83	3.73
R62	-	-	14	-	-	-	-	419.10	15.88	22.2	20.6	-	6.84	6.71
R63*	-	-	-	14	-	-	-	419.10	25.40	33.3	31.8	5.6	16.20	16.67
R64	16	-	-	-	-	-	-	454.03	7.95	14.3	12.7	-	2.47	2.29
R65*	-	16	-	-	-	16 3/4**	-	469.90	11.11	17.5	15.9	4.8	4.30	4.18
R66*	-	-	16	-	-	(16)	-	469.90	15.88	22.2	20.6	4.1	7.67	7.53
R67	-	-	-	16	-	-	-	469.90	28.58	36.5	34.9	-	22.30	23.40
R68	18	-	-	-	-	-	-	517.53	7.95	14.3	12.7	-	2.82	2.60
R69*	-	18	-	-	-	-	-	533.40	11.11	17.5	15.9	4.8	4.87	4.74
R70*	-	-	18	-	-	(18)	-	533.40	19.05	25.4	23.9	4.8	11.80	11.64
R71	-	-	-	18	-	-	-	533.40	28.58	36.5	34.9	-	25.20	26.50
R72	20	-	-	-	-	-	-	558.80	7.95	14.3	12.7	-	3.04	2.81
R73*	-	20	-	-	-	21 1/4**	-	584.20	12.7	19.1	17.5	3.3	6.60	6.47
R74*	-	-	20	-	-	(20 3/4)	-	584.20	19.05	25.4	23.9	4.8	12.95	12.75
R75	-	-	-	20	-	-	-	584.20	31.75	39.7	38.1	-	33.30	35.30
R76	24	-	-	-	-	-	-	673.10	7.95	14.3	12.7	-	3.66	3.38
R77	-	24	-	-	-	-	-	692.15	15.88	22.4	20.6	-	11.30	11.10
R78	-	-	24	-	-	-	-	692.15	25.4	33.3	31.8	-	27.10	27.58
R79	-	-	-	24	-	-	-	692.15	34.93	44.5	41.3	-	48.70	49.75
R80	22	-	-	-	-	-	-	615.95	7.95	-	12.7	-	-	3.11
R81	-	22	-	-	-	-	-	635.00	14.29	-	19.1	-	-	8.55
R82*	-	-	-	-	-	-	-	57.14	11.11	-	15.9	4.8	-	.508
R84*	-	-	-	-	-	-	-	63.50	11.11	-	15.9	4.8	-	.564
R85*	-	-	-	-	-	-	-	79.38	12.70	-	17.5	3.3	-	.978
R86*	-	-	-	-	-	-	-	90.50	15.88	-	20.6	4.1	-	1.447
R87*	-	-	-	-	-	-	-	100.03	15.88	-	20.6	4.1	-	1.597
R88*	-	-	-	-	-	-	-	122.83	19.05	-	23.9	4.8	-	2.735
R89*	-	-	-	-	-	-	-	114.30	19.05	-	23.9	4.8	-	2.528
R90*	-	-	-	-	-	-	-	155.58	22.23	-	26.9	4.8	-	4.55
R91*	-	-	-	-	-	-	-	260.25	31.75	-	38.1	4.1	-	15.05
R92	-	-	-	-	-	-	-	228.60	11.11	17.5	15.9	-	2.07	2.02
R93	-	26	-	-	-	-	-	749.30	19.05	-	23.9	-	-	16.33
R94	-	28	-	-	-	-	-	800.10	19.05	-	23.9	-	-	17.44
R95	-	30	-	-	-	-	-	857.25	19.05	-	23.9	-	-	18.69
R96	-	32	-	-	-	-	-	914.40	22.23	-	27.0	-	-	26.65
R97	-	34	-	-	-	-	-	965.20	22.23	-	27.0	-	-	28.13
R98	-	36	-	-	-	-	-	1022.35	22.23	-	27.0	-	-	29.79
R99*	-	-	-	-	-	-	-	234.95	11.11	-	15.9	4.8	-	2.08
R100	-	-	26	-	-	-	-	749.30	28.58	-	34.9	-	-	-
R101	-	-	28	-	-	-	-	800.10	31.75	-	38.1	-	-	-
R102	-	-	30	-	-	-	-	857.25	31.75	-	38.1	-	-	-
R103	-	-	32	-	-	-	-	914.40	31.75	-	38.1	-	-	-
R104	-	-	34	-	-	-	-	965.20	34.93	-	41.3	-	-	-
R105	-	-	36	-	-	-	-	1022.35	34.93	-	41.3	-	-	-

\* Denotes ring number specified in API 6A.

Nominal Pipe Sizes marked\*\* apply to class rating 2000 only.

Nominal Pipe Sizes in brackets apply to class rating 3000 only.

† Ring no. R30 is suitable for lapped flanges only.